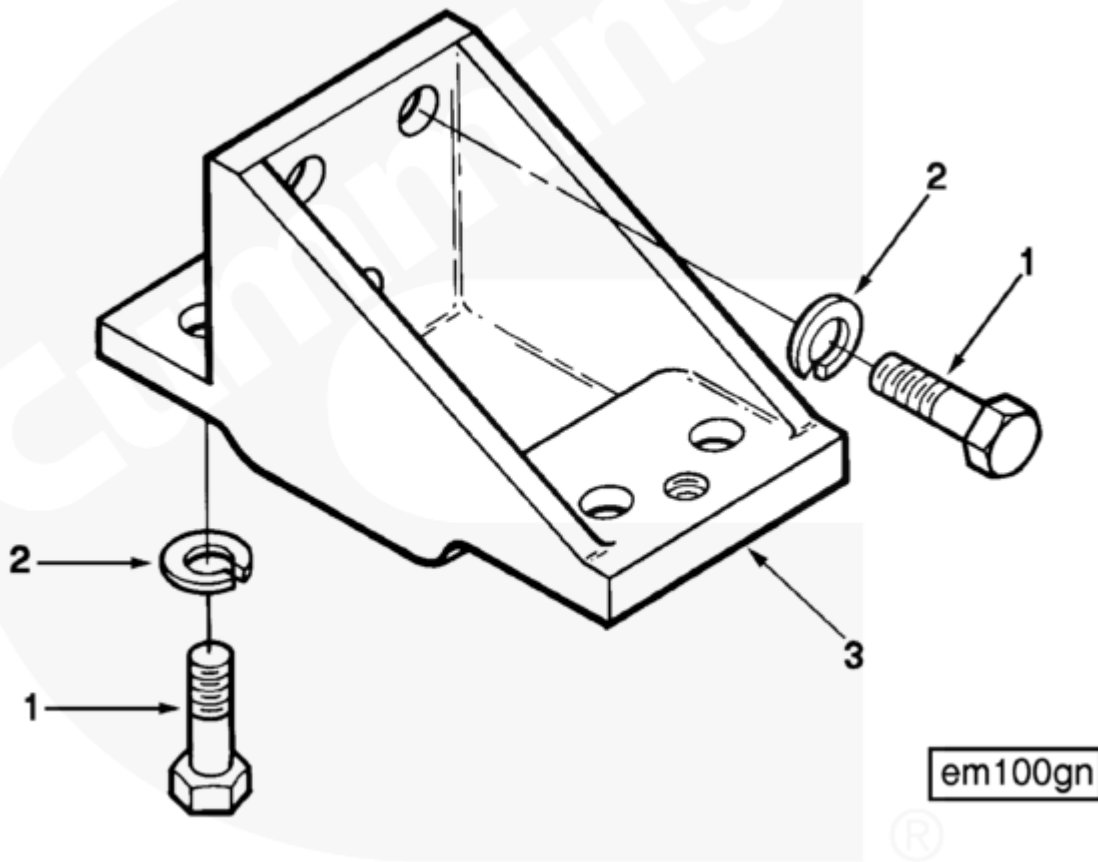




Parts Catalog - Option Detail

Electronic Parts Catalog - Option Detail				
Option	Group	Graphic	Film Card	Date
RE1007	16.03	em100gn	FF	09-APR-98
Engines	G855, G855 CM558, GTA855 CM558 (CM2358) G101, N14 CELECT, N14 CELECT PLUS, N14 MECHANICAL, NH/NT 855, QSM11 CM876 M101, QSM11 CM876 M102M, QSN14 CM876 N103, QSN14 CM876 N105, QSNT14 CM876 N102			

©Cummins Inc



[SMALL](#) | [MEDIUM](#) | [LARGE](#)

Cart	Ref No	Part Number	Part Description	Required	Remarks
View My Cart					
		RE1007	Rear Engine Support		
					Set of two marine type
					mounting feet. For marine
					pad type front support, or

					combination bellhousing and
					support.
<input type="checkbox"/>	1	S 127 C	Hexagon Head Cap Screw	10	5/8 - 11 X 1 3/4 Inch.
<input type="checkbox"/>	2	S 603	Lock Washer	10	5/8 in.
<input type="checkbox"/>	3	3010348	Engine Support	2	

© 2019 Cummins Inc., Box 3005, Columbus, IN 47202-3005 U.S.A.
Terms of Use and Disclaimers | Recommended System Requirements
Need Assistance? Please click on the Contact Us button in the top right corner of any page.